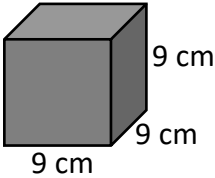
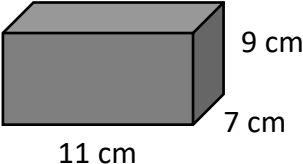


MA.5.GR.3.2

5th Grade FAST Test Prep Freebies

Match each rectangular prism with its correct volume.

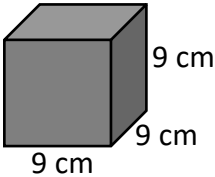
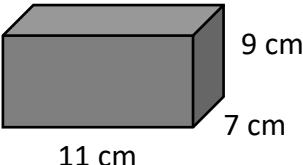
	693 cubic cm	729 cubic cm	999 cubic cm
	<input type="checkbox"/>	<input type="checkbox"/>	<input type="checkbox"/>
	<input type="checkbox"/>	<input type="checkbox"/>	<input type="checkbox"/>



MA.5.GR.3.2

5th Grade FAST Test Prep Freebies

Match each rectangular prism with its correct volume.

	693 cubic cm	729 cubic cm	999 cubic cm
	<input type="checkbox"/>	<input type="checkbox"/>	<input type="checkbox"/>
	<input type="checkbox"/>	<input type="checkbox"/>	<input type="checkbox"/>